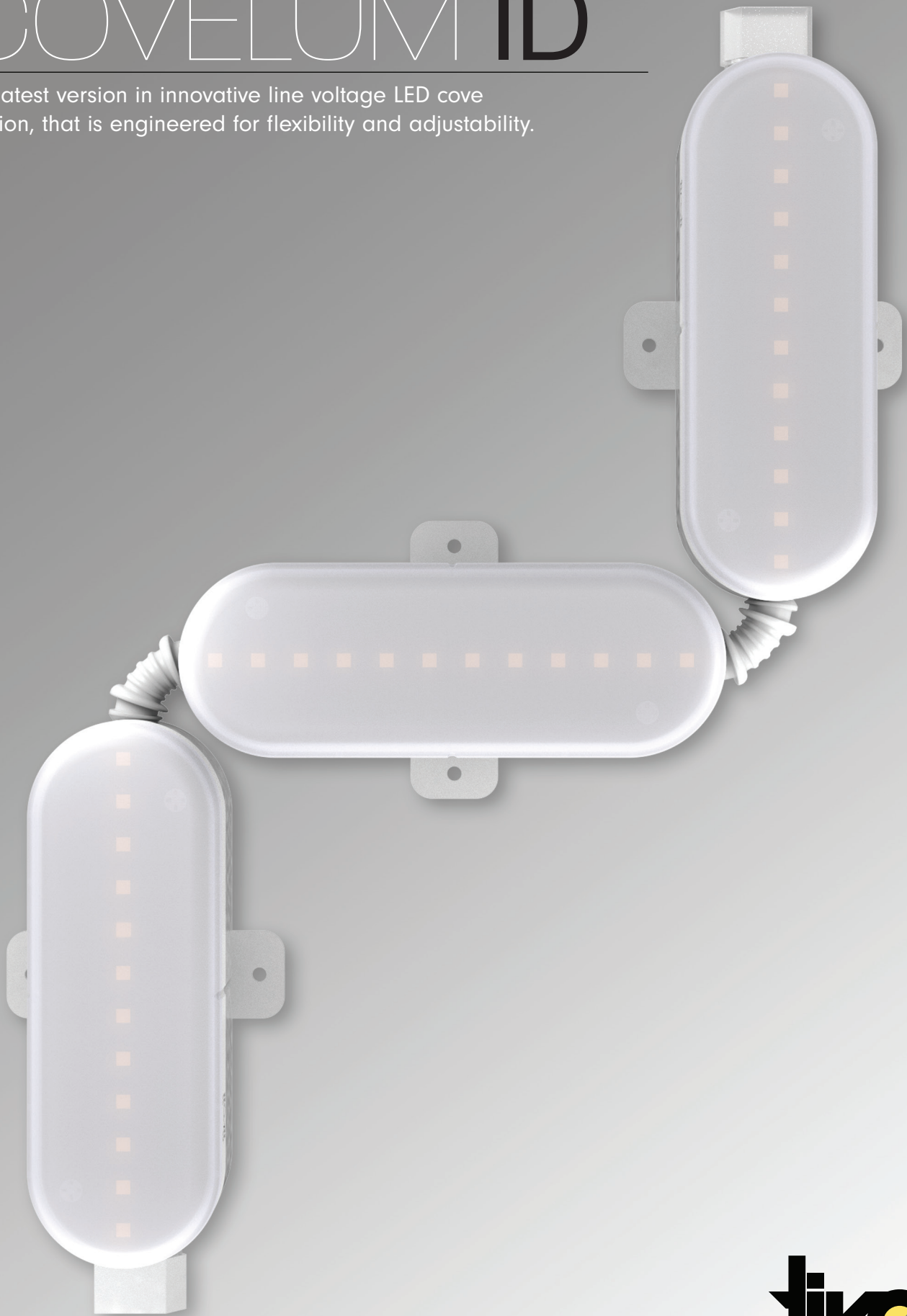


# COVELUM ID

The latest version in innovative line voltage LED cove solution, that is engineered for flexibility and adjustability.



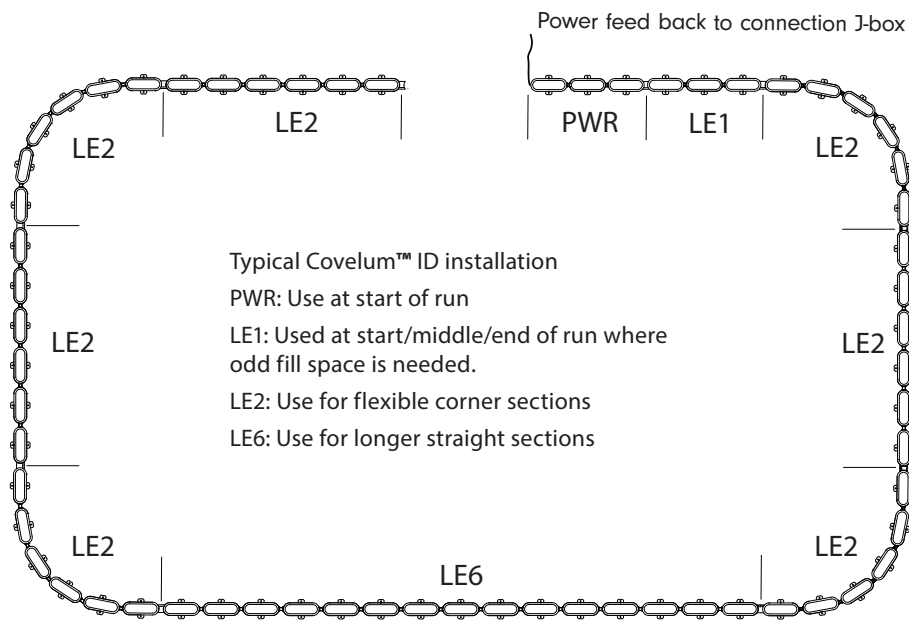
**tivoli**



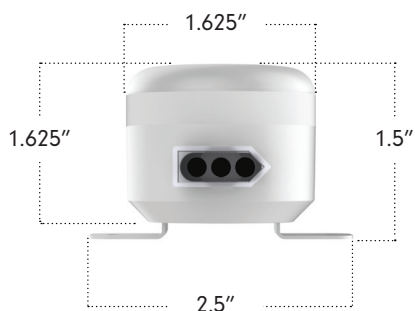
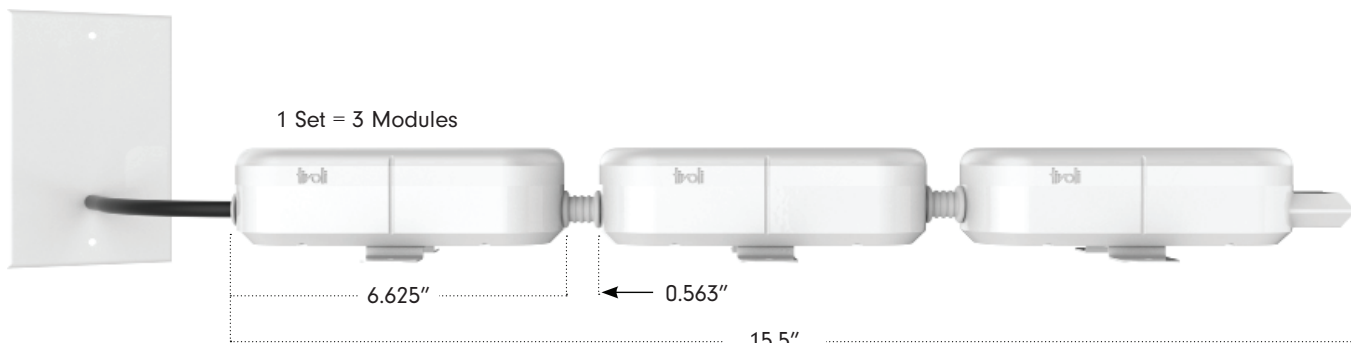
Project: \_\_\_\_\_

TYPE: \_\_\_\_\_

Layout Guide

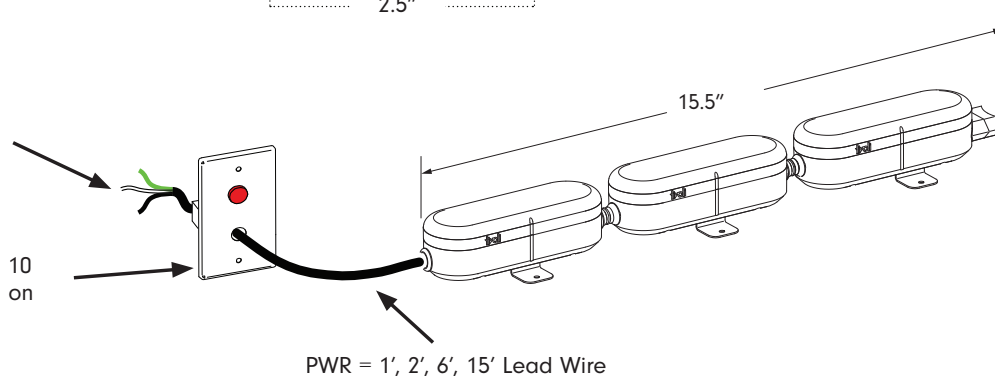


Power Set Dimensions



Make wire connections in a listed J-box (by others according to NEC and local codes)

Single gang plate cover with 10 Amp circuit breaker supplied on all power sets.



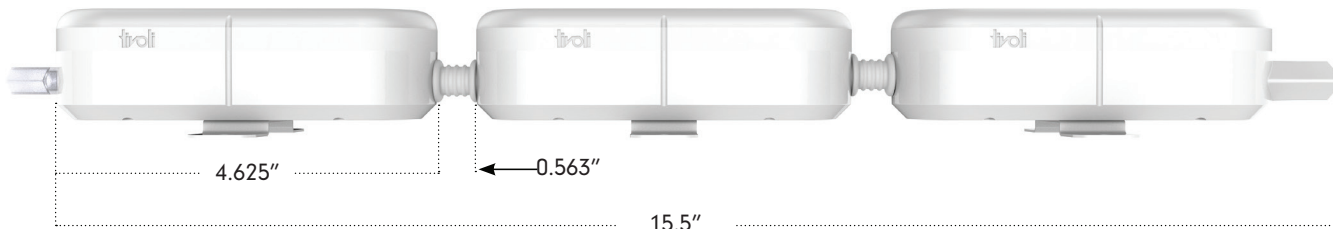
Power Set Order Guide

PRODUCT CODE	LED COLOR	PREP	VOLTAGE
<b>CVLID</b>			<b>120</b>
CVLID = Covelum™ ID	22 = 2200K	PWR1 = Power Set, 1' NOM, 1' lead wire	120 = 120V
	25 = 2500K	PWR2 = Power Set, 1' NOM, 2' lead wire	277 = 277V
	27 = 2700K	PWR6 = Power Set, 1' NOM, 6' lead wire	
	30 = 3000K	PWR15 = Power Set, 1' NOM, 15' lead wire	
	35 = 3500K		
	40 = 4000K		

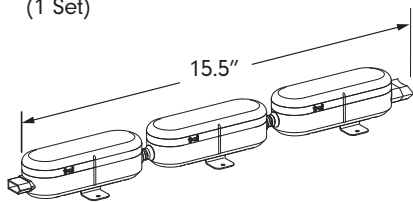
**NOTE:**  
System must have one (PWR) Power Set at start of each circuit run length.  
\*Consult Factory for 277V applications

## Power Set Dimensions

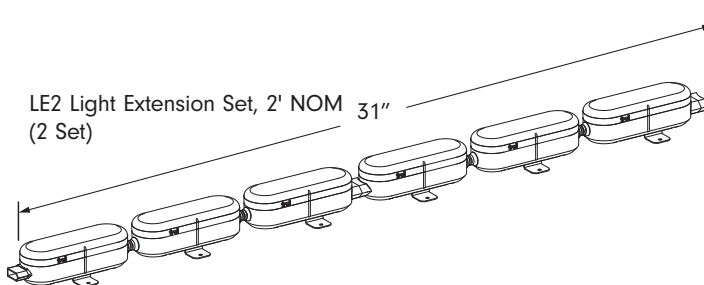
1 Set = 3 Modules



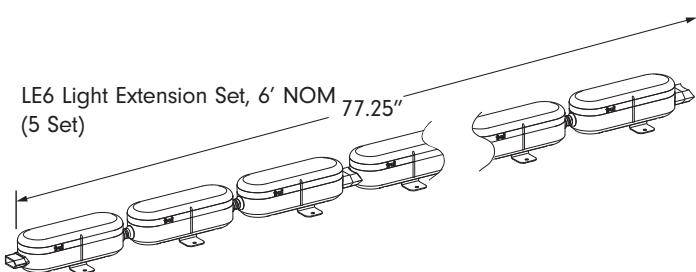
LE1 Light Extension Set, 1' NOM  
(1 Set)



LE2 Light Extension Set, 2' NOM  
(2 Set)



LE6 Light Extension Set, 6' NOM  
(5 Set)



## Light Extension Set Order Guide

PRODUCT CODE	LED COLOR	PREP	VOLTAGE
<b>CVLID</b>			<b>120</b>
CVLID = Covelum™ ID	22 = 2200K	LE1 = 1' NOM light extension (15.5") 1 set	120 = 120V
	25 = 2500K	LE2 = 2' NOM light extension (31") 2 set	277 = 277V
	27 = 2700K	LE6 = 6' NOM light extension (77.25") 5 set	
	30 = 3000K		
	35 = 3500K		
	40 = 4000K		

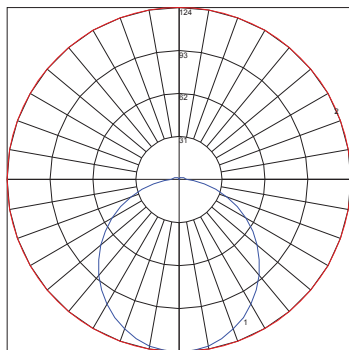
**NOTE:**

Light Extension Sets (LE) are flexible and have integral connections on both ends for easy run length connection.

## Specification

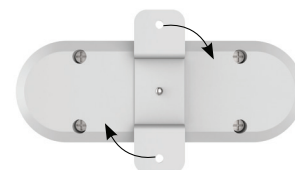
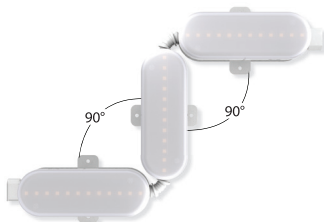
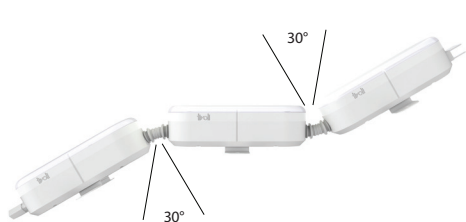
LED Data (based on 120V)						
Color Temperature (CCT)	2200K	2500K	2700K	3000K	3500K	4000K
Lumen Output/Set	332	346	353	363	375	411
Efficacy/Set	60	63	64	66	68	75
Color Rendering Index (CRI)	93					
R9	94.64					
TM-30-15 Fidelity Index (R <sub>f</sub> )	88					
TM-30-15 Gamut Index (R <sub>g</sub> )	98					
Electrical & Photometric Data (Based on 3500K / (1) Power Set @ (3) Modules)						
Input Voltage	120V AC / 277V AC					
Dimming	Triac					
Power Consumption	5.55 W/Set					
Power Factor (PF)	0.8					
Maximum Run Length (Non-Dim)	185'					
Maximum Run Length (Dimmable)	132' (Based on 1.1% lumen drop at full brightness, 10% at full dimmed)					
Physical						
PCB O.C. Spacing (Average)	23/64"					
LEDs/Module	12					
Operating Temperature	-40°F (-40°C) ~ +140°F (+60°C)					
Environment	IP54 (Protected from limited dust ingress & water spray)					
Performance						
Certification	ETL Listed					
Lumenn Maintenance (L70) Hours	60,000					
Environment	Indoor					
IP Rating	54					
Warranty	5 Years					

Photometrics (Based on 3500K / (1) Power Set @ (3) Modules)



Maximum Candela = 124.17  
 Located At Horizontal Angle = 0  
 Vertical Angle = 0  
 #1 Vertical Plane Through Horizontal Angles (0-180) (Through Max. Cd.)  
 #2 Vertical Cone Through Vertical Angle (0) (Through Max. Cd.)

Mounting Information



Replacement Parts



**CVLID-PCB-XX**  
**XX = 22 (2200k), 25 (2500k), 27 (2700k), 30 (3000k), 35 (3500k), 40 (4000k)**



**CVLID-LENS-F**  
 Replacement Lens



**CVLID-LENS-C**  
 Replacement Lens  
 Clear Lens (1pc)



**CVL120-JUMPER-X**  
**X = 1 (1'), 2 (2'), 4 (4'), 8 (8')**  
 Male-Female Molex Jumper Cables

Recommended Dimmers

**DIMMING - MLV**

DESCRIPTION	CAT NO	APPLICATION	INPUT VOLTAGE	OUTPUT VOLTAGE	MAX LOAD
MLV Dimmer	N-600	Indoor	120V AC	120V AC	450W